

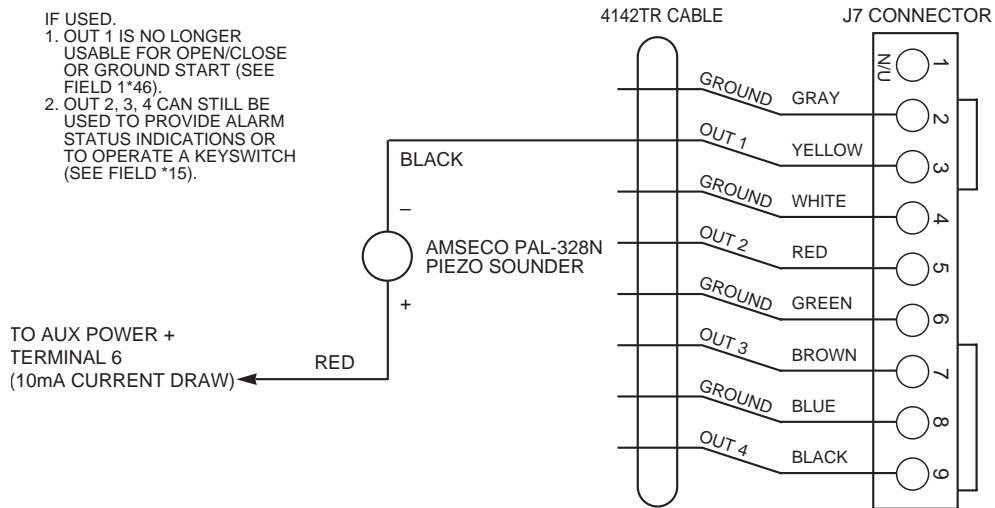
## Remote Keypad Sounder

Output 1 may alternately be programmed for a remote keypad sounder. You may use an Amseco PAL 328N for installations where you want the sounds produced by the keypad's built-in piezo sounder to be duplicated in another location for one partition. The panel will send all sounds remotely (i.e. alarm, trouble, chime, entry/exit, etc.) except for the short clicks associated with keypad key depression.

One application of this feature might be to produce chime sounds in a location which is distant from the panel's keypads. You can also accomplish this by using relay outputs (see SECTION 7: *RELAY OUTPUTS AND POWERLINE CARRIER DEVICES*).

### Remote Keypad Sounder Connections

- Connect the Amseco piezo between the panel's auxiliary power and the J7 connector trigger output as shown below.



**Figure 22. Remote Keypad Sounding Connections**

## Programming Remote Keypad Sounding Options

1. With at least one two-line alpha keypad (5137AD/6139) wired and set to a proper address, power up the system temporarily by plugging the AC transformer into a 120VAC outlet (previously wired to the control).
2. Enter data field programming mode: [Installer Code] + **8 0 0**.  
Program the following data fields:
  - 1\*46** AUXILIARY OUTPUT ENABLE: Set for **2**.
  - \*15** KEYSWITCH ASSIGNMENT,: Enter the partition whose keypad sounds are to be duplicated at the remote sounder.
3. Press **\*99** to exit program mode.

The system automatically assigns Zone Type 10 to Zone 7, whether or not a keyswitch is actually used. Therefore, Zone 7 is no longer available as a protection zone, but is assigned as a keyswitch zone.



1. If you need more information about actual programming procedures, see Section 4: *THE MECHANICS OF PROGRAMMING*.
2. You cannot use Output 1 for a Remote Keypad Sounder if using it for an Open/Close trigger, Ground Start module, or AAV module.